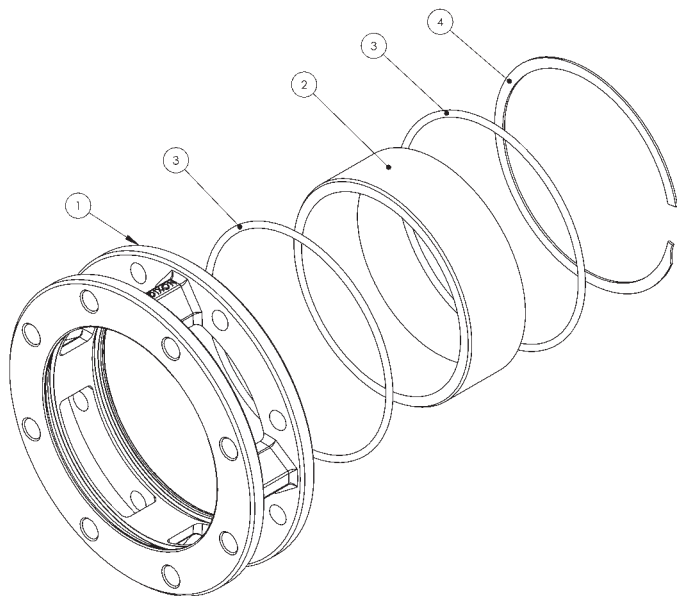


## 5200-SFI and 5201-SFI Series, Sight Glass



### Bill of Materials

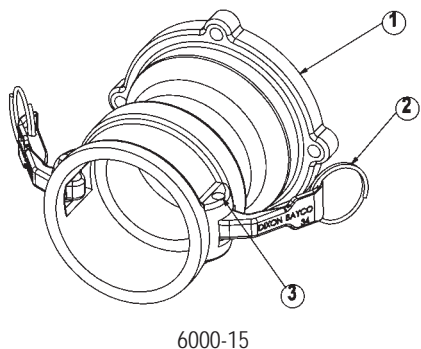
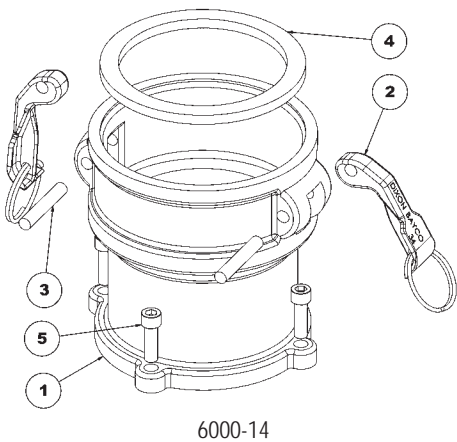
Item #	Description	Part #	5200-SFI	5200-SFI-3	5201-SFI	5201-SFI-3
1	body	---	1	1	1	1
2	sight glass	use repair kit below	1	1	1	1
3A	3" Baylast™ O-ring	use repair kit below	n/a	1	n/a	1
3B	4" Baylast™ O-ring	use repair kit below	2	n/a	2	n/a
4A	3" retainer ring	use repair kit below	n/a	1	n/a	1
4B	4" retaining ring	use repair kit below	1	n/a	1	n/a

### Repair Kits

Part #	Description	Includes Item #
<b>5200-SFI-3-RK1</b>	sight glass repair kit for 3" - 5200-SFI-3	1, 2, 3A, 4A
<b>5201-SFI-3-RK1</b>	sight glass repair kit for 3" - 5201-SFI-3	1, 2, 3A, 4A
<b>5200-SFI-RK1</b>	sight glass repair kit for 4" - 5200-SFI	1, 2, 3B, 4B
<b>5201-SFI-RK1</b>	sight glass repair kit for 4" - 5201-SFI	1, 2, 3B, 4B

## Drop Elbow Inlets

Fits 6000, 6200, and 6500 Series Elbows  
6000-14 and 6000-15 Female Coupler Inlets



### Bill of Materials

Item #	Description	Part #	Qty
1	body	---	1
2	cam arm and ring	<b>300-HP-BR</b>	2
3A	4" cam arm pin	<b>300-P</b>	2
3B	3" cam arm pin	<b>L519-19</b>	2
4A	4" gasket (6000-14)	<b>400-G-BF</b>	1
4B	3" gasket (6000-15)	<b>300-G-BF</b>	1
5	hex screw	use kit <b>6000NPHK</b>	4
6	lock washer	use kit <b>6000NPHK</b>	4

### Repair Kits

Part #	Description	Includes Item #
<b>6000NPHK</b>	replacement hex screws and lockwashers	5, 6

Product instruction sheets and technical data can be viewed on our website at [dixongroupcanada.com](http://dixongroupcanada.com) by selecting the 'Resources' menu.