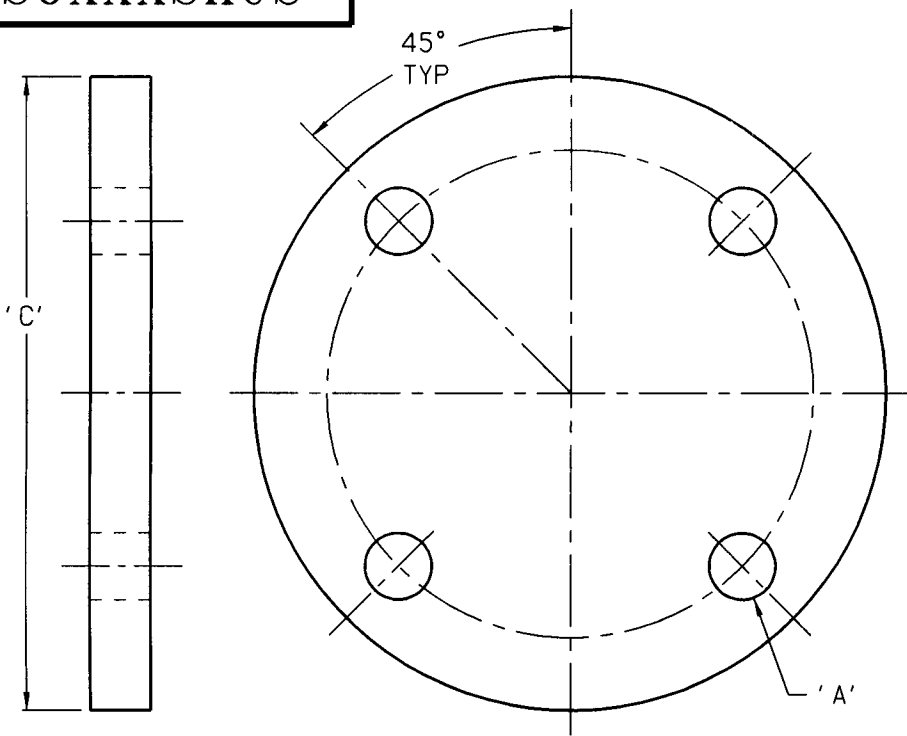
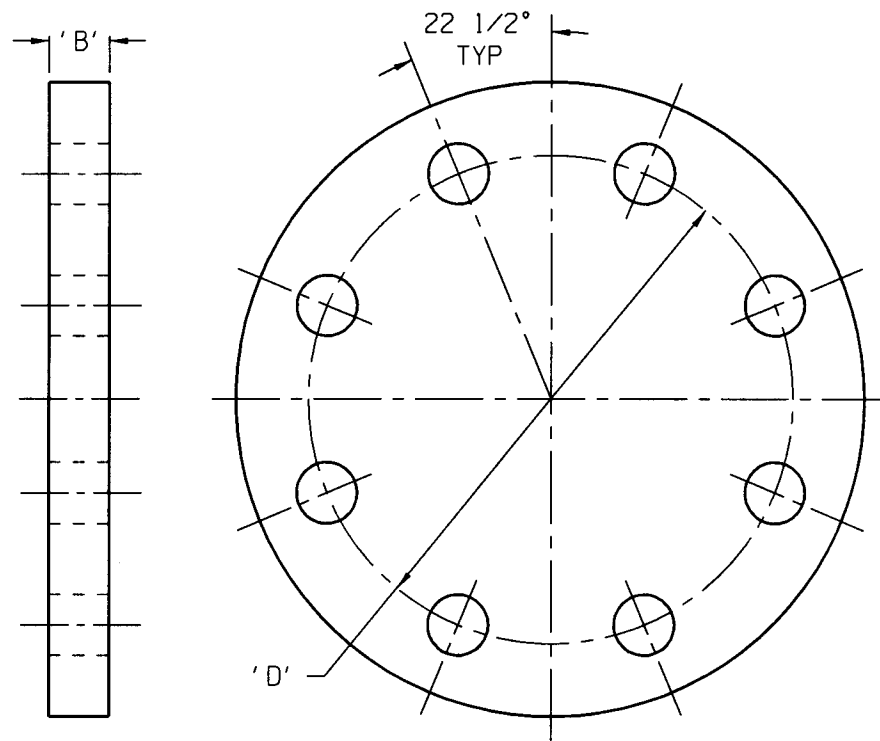


SOXXXSHUS

CUSTOMER DWG



2 1/2" & 3" FLANGE



4" & 5" FLANGE

SIZE	PART No.	MATERIAL	PIPE SIZE	# OF BOLT HOLES	BOLT SIZE	A DIA OF BOLT HOLES	B FLANGE THICKNESS	C FLANGE O.D.	D BOLT CIRCLE DIA
2 1/2"	SO250SHUS	CARBON STEEL	2 1/2"	4	5/8"	.703"	5/8"	6 1/2"	5"
3"	SO300SHUS	CARBON STEEL	3"	4	5/8"	.703"	5/8"	7"	5 3/4"
4"	SOR400SHUS	STAINLESS STEEL	4"	8	5/8"	.703"	5/8"	8 1/4"	6 11/16"
5"	SO500SHUS	CARBON STEEL	5"	8	5/8"	.703"	5/8"	10"	8 1/4"

AGREEMENT TO MAINTAIN CONFIDENTIALITY

This drawing is owned by Dixon Valve & Coupling Co. and shall be returned upon demand. It is loaned on condition that it shall not be copied or reproduced or submitted to others without the owners consent. In accepting it subject to this condition the recipient further agrees that this drawing or any design detail or concept disclosed herein shall not be used in any way detrimental to or in competition with the Owner. If the recipient does not agree to the terms of this agreement, they shall return this drawing immediately.

CUSTOMER DWG



The Right Connection™

DIXON VALVE & COUPLING CO.
U. S. A.

TITLE
2 1/2", 3", 4" & 5" FLAT
FACED PLATE FLANGE DIMENSIONS

DRAWN BY: Kristy
06/12/03

CHECKED BY:

APPROVAL: [Signature]
6/12/03

MAT'L
SEE B/M

SOXXXSHUS