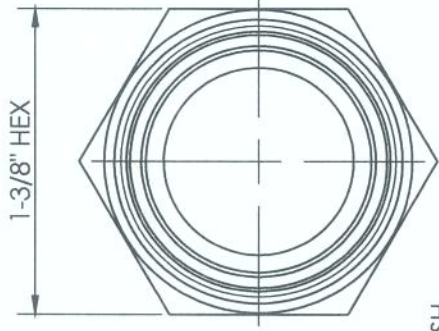
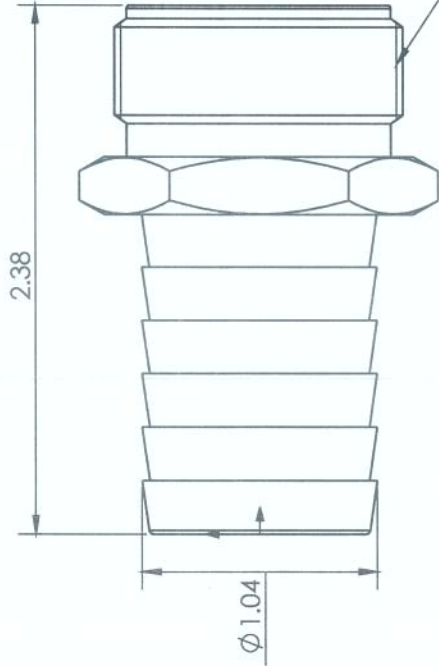


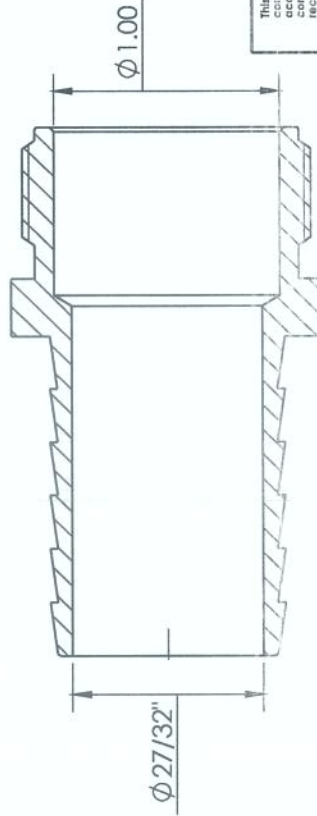
LINE DRAWING NOT FOR PRODUCTION PURPOSES



1-3/8" HEX



1 - 11 - 1/2 NPSH



$\phi 1.00$

$\phi 27/32"$

MATERIAL 1 - 3/8 HEX ALLOY 360 BRASS

This drawing is owned by Dixon Valve & Coupling Co. and shall be released upon demand. It is loaned on the condition that the recipient shall not be allowed to reproduce or disseminate the drawing or any information disclosed herein without the express consent of Dixon Valve & Coupling Co. The recipient further agrees that this drawing or any design detail or information disclosed herein shall not be used in any way detrimental to or in competition with the owner. If the recipient does not agree to the terms or conditions of this drawing, the recipient shall immediately return this drawing to the owner. This drawing is subject to change without notice.



**Dixon Brass**  
Westmont, Illinois USA

DRAWN: H. BARRERA  
APPROVED: H. BARRERA  
DATE: 12/15/17  
ECO NO.:

TITLE: BARB GARDEN HOSE MALE		DO NOT SCALE THIS DRAWING	
SIZE: A	DWG. NO.: 5901616C	REV: A	REV: A