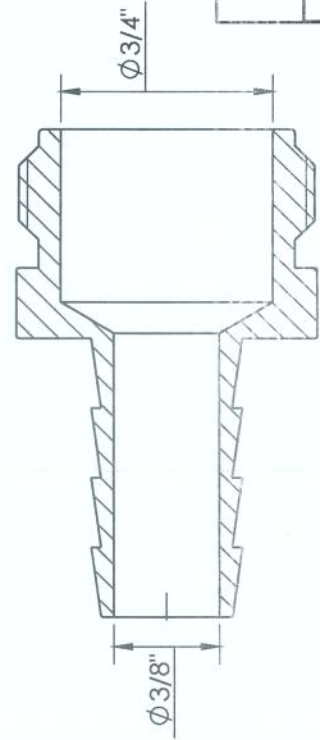
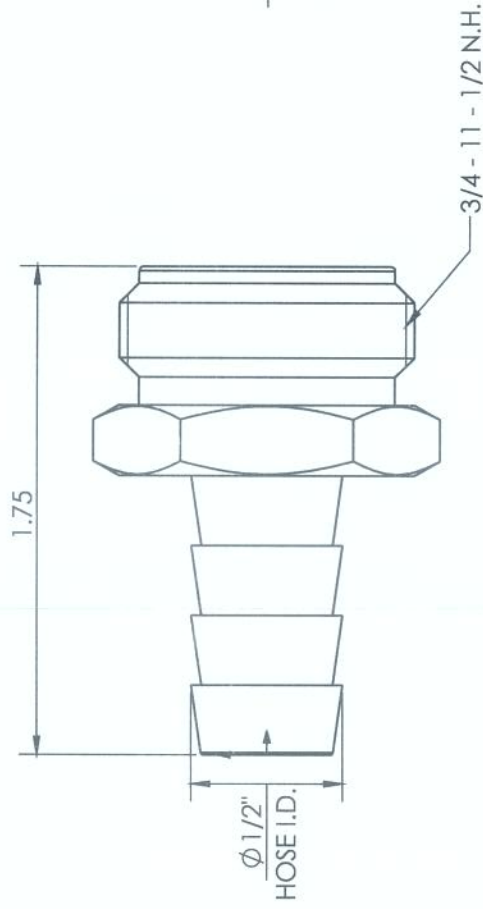
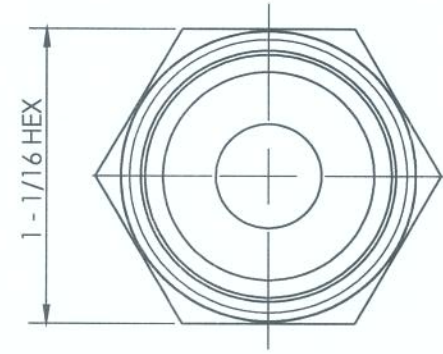


LINE DRAWING NOT FOR PRODUCTION PURPOSES



MATERIAL 1 - 1/16 HEX ALLOY 360 BRASS

This drawing is owned by Dixon Valve Coupling Co. and shall be returned upon demand. If it is loaned on condition that it shall not be copied or reproduced or submitted to others without the owners consent, in accepting it, subject to this condition, the recipient further agrees that this drawing or any design detail or concept disclosed herein shall not be used in any way, determined to or in competition with the owner. If the recipient does not agree to these terms, the recipient shall immediately return this drawing to the owner. If the information contained in this drawing is subject to change without notice.

 The Right Connection <sup>SM</sup>	DRAWN HENRY B.	DATE 11/3/17
	APPROVED	DATE
Westmont, Illinois USA		ECO NO.

DO NOT SCALE THIS DRAWING		
TITLE: 1/2 MALE GARDEN HOSE (3 BARB)	SIZE A	DWG. NO. 5850812C
REV	A	REV A