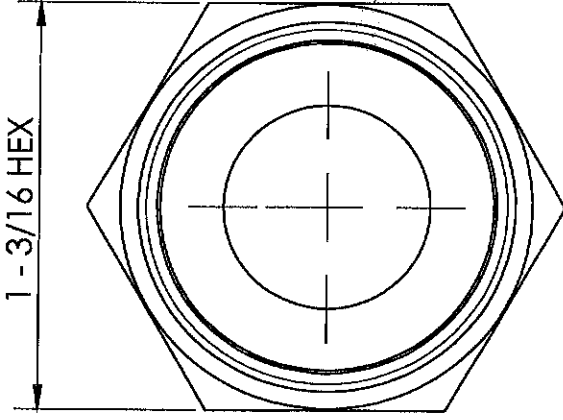
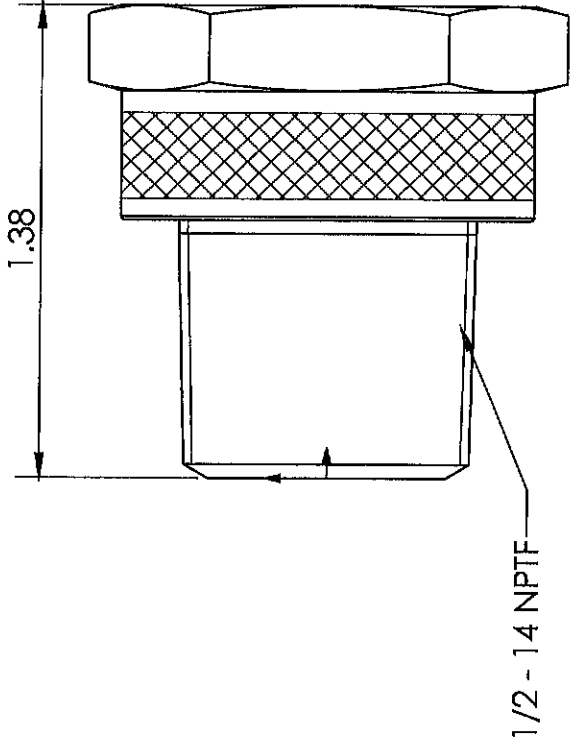
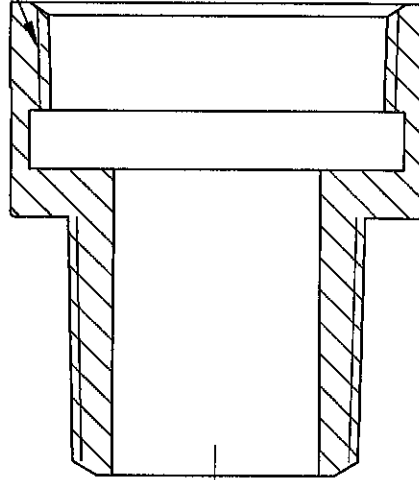


LINE DRAWING NOT FOR PRODUCTION PURPOSES



3/4 - 11 - 1/2 NH



Material 303SS for 50312088S

MATERIAL 1 - 3/16 HEX ALLOY 360 BRASS

This drawing is owned by Dixon Valves, Coupling Co. and shall be returned upon demand. It is loaned on condition that it shall not be copied or reproduced or submitted to others without the owners consent. In no event shall the recipient be held liable for any loss or damage, in any way detrimental to or in competition with the owner. If the recipient does not agree to the terms of this agreement they shall return this drawing immediately. The information contained in this drawing is subject to change without notice.



Dixon Brass
Westmont, Illinois USA

DRAWN	DATE
HENRY B.	9/6/17
APPROVED	DATE
ECO NO.	

DO NOT SCALE THIS DRAWING	
SIZE	REV
A	A
DWG. NO. 5031208T	