

## Pneumatically Actuated Brass Ball Valves

### Features:

#### 2-Piece Brass Ball Valve

- brass, body and ball
- FKM elastomers
- blow-out proof brass stem
- PTFE seats with double O-ring stem packing
- ISO 5211 mounting pad
- pressure rating: - **600 PSI** WOG  
- **150 PSI** WSP
- maximum temperature: **300°F**

#### Rack and Pinion Actuator

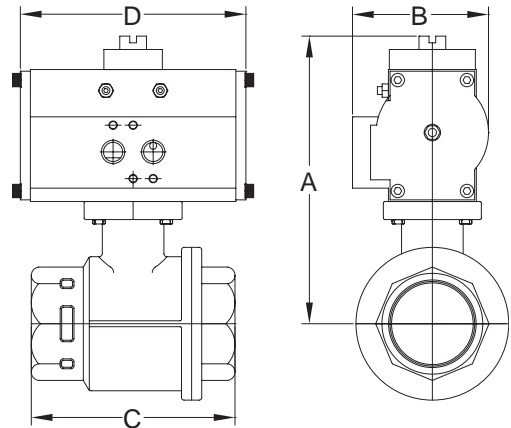
- hard anodized aluminum body
- nickel plated anti-blowout pinion
- Buna-N O-rings
- NAMUR mounting
- bi-directional stops for  $\pm 5^\circ$  travel adjustment
- **80 PSI** plant air required
- visual position indication
- maximum operating pressure: **120 PSI**
- temperature range: **-40°F** to **200°F**
- tested to one million cycles



### Spring Return (normally closed)

All dimensions are given in inches, unless noted. Dimensions are approximate. Engineering dimensions are available upon request. Specifications are subject to change without notice.

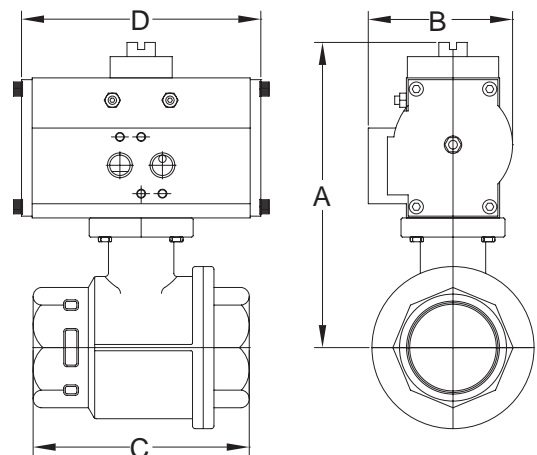
Size	Dimensions				Brass	
	A	B	C	D	Part #	Price/E
1/4"	4.80	2.80	2.64	5.49	<b>BV2BV-02511-BBC</b>	<b>\$524.15</b>
3/8"	4.80	2.80	2.64	5.49	<b>BV2BV-03811-BBC</b>	<b>510.70</b>
1/2"	4.80	2.80	2.64	5.49	<b>BV2BV-05011-BBC</b>	<b>533.65</b>
3/4"	4.88	2.80	3.00	5.49	<b>BV2BV-07511-BBC</b>	<b>518.25</b>
1"	5.31	2.80	3.35	5.49	<b>BV2BV-10011-BBC</b>	<b>543.00</b>
1 1/4"	5.45	2.80	3.66	5.49	<b>BV2BV-12511-BBC</b>	<b>695.30</b>
1 1/2"	6.04	2.80	4.13	5.49	<b>BV2BV-15011-BBC</b>	<b>741.50</b>
2"	6.40	2.80	4.80	5.49	<b>BV2BV-20011-BBC</b>	<b>991.30</b>
2 1/2"	8.13	3.74	6.10	8.09	<b>BV2BV-25011-BBC</b>	<b>1293.00</b>
3"	8.50	3.74	6.89	8.09	<b>BV2BV-30011-BBC</b>	<b>1855.20</b>
4"	10.14	4.69	8.03	9.84	<b>BV2BV-40011-BBC</b>	<b>2250.30</b>



### Double Acting

Dimensions are approximate. Engineering dimensions are available upon request. Specifications are subject to change without notice.

Size	Dimensions				Brass	
	A	B	C	D	Part #	Price/E
1/4"	3.84	1.77	2.64	4.33	<b>BV2BV-02511-BCC</b>	<b>\$375.80</b>
3/8"	3.84	1.77	2.64	4.33	<b>BV2BV-03811-BCC</b>	<b>362.35</b>
1/2"	3.84	1.77	2.64	4.33	<b>BV2BV-05011-BCC</b>	<b>320.20</b>
3/4"	3.92	1.77	3.00	4.33	<b>BV2BV-07511-BCC</b>	<b>419.35</b>
1"	4.35	1.77	3.35	4.33	<b>BV2BV-10011-BCC</b>	<b>444.10</b>
1 1/4"	4.49	1.77	3.66	4.33	<b>BV2BV-12511-BCC</b>	<b>572.50</b>
1 1/2"	6.42	3.20	4.13	5.68	<b>BV2BV-15011-BCC</b>	<b>618.70</b>
2"	6.78	3.20	4.80	5.68	<b>BV2BV-20011-BCC</b>	<b>698.30</b>
2 1/2"	8.13	3.74	6.10	5.87	<b>BV2BV-25011-BCC</b>	<b>1150.10</b>
3"	8.50	3.74	6.89	5.87	<b>BV2BV-30011-BCC</b>	<b>1424.45</b>
4"	10.14	4.69	8.03	7.20	<b>BV2BV-40011-BCC</b>	<b>1819.55</b>



A wide variety of switches, solenoids, positioners, etc., are available. Contact Dixon™ at 800.789.1718 or visit [dixonvalve.com](http://dixonvalve.com) for details.



#### Caution !

Even though there are torque safety factors built into our automated ball valve packages, actual service conditions must also be considered when selecting the proper product for the appropriate application.

For example: Severe service conditions such as dirty water, dirty air, all slurries, raw sewage water, oils, and other viscous fluids can have a dramatic affect in raising the torque requirements of ball valves as much as 75% and therefore larger actuators may be required. Please consult Dixon™ when dealing with these types of applications.

